

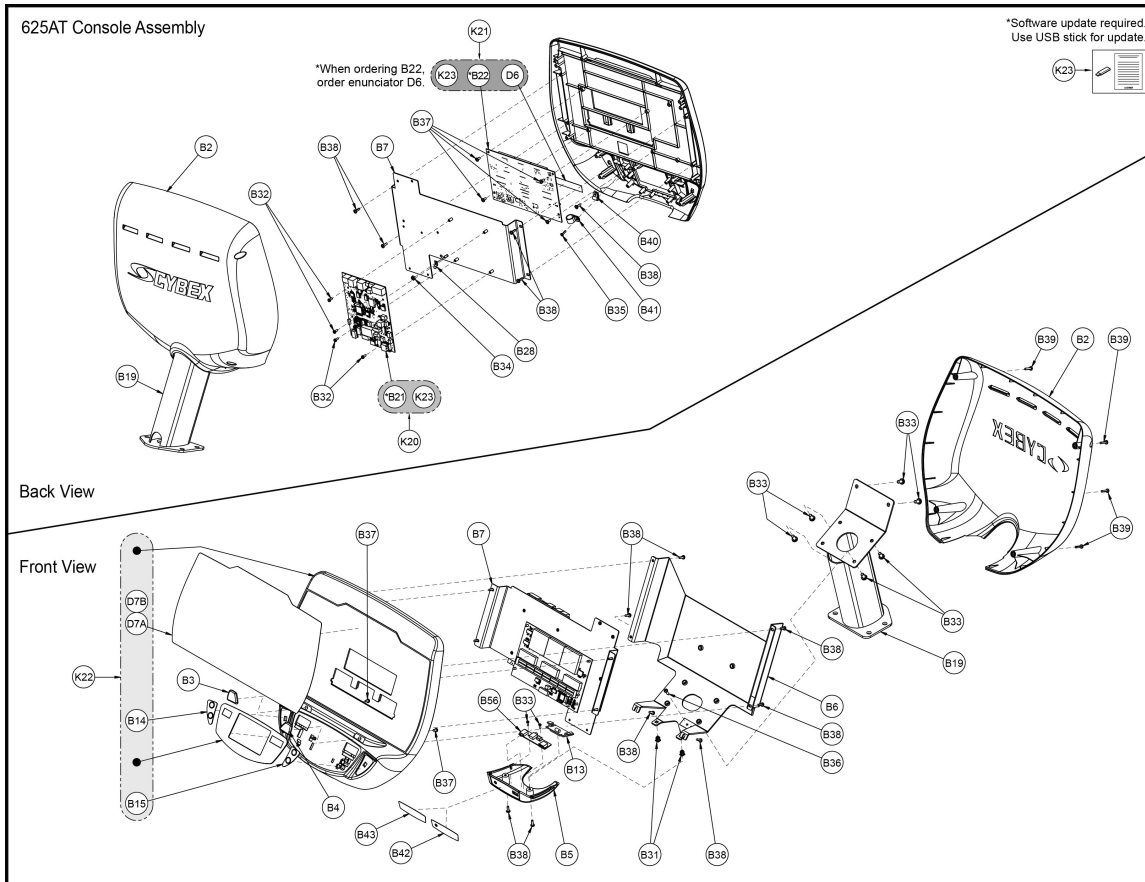


## Part Diagrams

Product Line: Arc Trainers

Product: 625AT: LED Total Body Arc

Assembly Name: 625AT Console Assembly



Bulb #	Part Number	Name	Description	Notes	Price
B2	<a href="#">770A-326</a>	CONSOLE BACK			
B3	<a href="#">770A-328</a>	BACK TAB, SMALL CONSOLE, LEFT			
B4	<a href="#">770A-329</a>	BACK TAB, SMALL CONSOLE, RIGHT			
B5	<a href="#">770A-330</a>	COVER, HEADPHONE JACK DOOR, SMALL CONSOLE			
B6	<a href="#">770A-353</a>	CONSOLE MOUNTING PLATE			
B7	<a href="#">770A-354</a>	FAN MOUNTING PLATE, 770,625			
B13	<a href="#">770A-379</a>	SENSOR,HEART RATE COMBO			
B14	<a href="#">770A-386</a>	THUMB SWITCH, LEFT, INCLINE			
B15	<a href="#">770A-387</a>	THUMB SWITCH, RIGHT, RESISTANCE			
B19	<a href="#">770AT-205</a>	W CONSOLE			
B21	<a href="#">525AT-407</a>	PCA, MCC, UNPROGRAMMED, IPOD, 525ATCR			
B22	<a href="#">770A-346</a>	PCA,LED DISPLAY BOARD, 625A			

B28	ES000004	TAB, FASTON 250 SERIES		
B31	HF540200	GROMMET NYLON		
B32	HJ532510	SCREW, SEMS, 6-32 x .38 PNHD PHIL EXT BLK ZN		
B33	HJ622512	SCREW, SEMS, .25-20 X .50 PNHD PHIL EXT BLK ZN		
B34	HN546300	NUT, K NUT 8-32 UNC ZN		
B35	HT532512	PN HD PHIL SC #6 X .50 PLASTITE		
B36	HT542512	PAN HD PHIL HD SELF TAPPING, 8-32 X .50 TYPE 23		
B37	HT552509	SCREW, TAP 8-16 x .31 PLASTITE		
B38	HT552512	TAP SC NO. 8-16 X .50 PLASTITE PAN HEAD PHILLIPS <b>BLACK</b>		
B39	HT552515	PAN HD PHIL SELF TAPPING, 8-16 X .75 PLASTITE		
B40	PN000001	CLAMP, CABLE .18 DIAMETER STANDARD		
B41	PN140001	CLAMP, CABLE .56 DIAMETER		
B42	770A-381	DECAL, HEADPHONE JACK		
B43	770A-382	DECAL, HEADPHONE JACK BLANK		
B56	<del>770A-347</del>	PCA, HANDSET AUDIO JACK		
D6	<del>DE-23832-1</del>	DECAL, 770A, ENUNCIATOR, GERMAN		
D6	<del>DE-23832-2</del>	DECAL, 770A, ENUNCIATOR, FRENCH		
D6	DE-23832-3	DECAL, 770A, ENUNCIATOR, SPANISH		
D6	DE-23832-4	DECAL, 770A, ENUNCIATOR, ENGLISH		
D6	DE-23832-6	DECAL, 770A, ENUNCIATOR, JAPANESE		
D6	DE-23832-7	DECAL, 770A, ENUNCIATOR, SWEDISH		
D6	DE-23832-8	DECAL, 770A, ENUNCIATOR, RUSSIAN		
D6	DE-23832-A	DECAL, 770A, ENUNCIATOR, DANISH		
D6	DE-22663-D	DECAL, 770A, ENUNCIATOR, DUTCH		
D6	DE-23832-H	DECAL, 770A, ENUNCIATOR, CHINESE		
D7A	<del>DE-23833</del>	DECAL, UPPER DISPLAY, 625A, INTERNATIONAL		
D7B	<del>DE-23833-4</del>	DECAL, UPPER DISPLAY, 625A, ENGLISH		
K20	<del>K525AT-407</del>	KIT, PCA MCC, 525		
K21	<del>K770A-346-1</del>	KIT, PCA DISPLAY W ENUNCIATOR, 625	GERMAN	
K21	<del>K770A-346-2</del>	KIT, PCA DISPLAY W ENUNCIATOR, 625	FRENCH	
K21	<del>K770A-346-3</del>	KIT, PCA DISPLAY W ENUNCIATOR, 625	SPANISH	
K21	<del>K770A-346-4</del>	KIT, PCA DISPLAY W ENUNCIATOR, 625	ENGLISH	
K21	<del>K770A-346-6</del>	KIT, PCA DISPLAY W ENUNCIATOR, 625	JAPANESE	
K21	<del>K770A-346-7</del>	KIT, PCA DISPLAY W ENUNCIATOR, 625	SWEDISH	
K21	<del>K770A-346-8</del>	KIT, PCA DISPLAY W ENUNCIATOR, 625	RUSSIAN	
K21	<del>K770A-346-A</del>	KIT, PCA DISPLAY W ENUNCIATOR, 625	DANISH	
K21	<del>K770A-346-D</del>	KIT, PCA DISPLAY W ENUNCIATOR, 625	DUTCH	
K21	<del>K770A-346-H</del>	KIT, PCA DISPLAY W ENUNCIATOR, 625	CHINESE	
K22	<del>K625A-314-1</del>	KIT, BEZEL, W KEYPAD DECAL, 625	GERMAN	
K22	<del>K625A-314-2</del>	KIT, BEZEL, W KEYPAD DECAL, 625	FRENCH	

K22	<b>K625A-314-3</b>	KIT, BEZEL, W KEYPAD DECAL, 625	SPANISH		
K22	<b>K625A-314-4</b>	KIT, BEZEL, W KEYPAD DECAL, 625	ENGLISH		
K22	<b>K625A-314-6</b>	KIT, BEZEL, W KEYPAD DECAL, 625	JAPANESE		
K22	<b>K625A-314-7</b>	KIT, BEZEL, W KEYPAD DECAL, 625	SWEDISH		
K22	<b>K625A-314-8</b>	KIT, BEZEL, W KEYPAD DECAL, 625	RUSSIAN		
K22	<b>K625A-314-A</b>	KIT, BEZEL, W KEYPAD DECAL, 625	DANISH		
K22	<b>K625A-314-D</b>	KIT, BEZEL, W KEYPAD DECAL, 625	DUTCH		
K22	<b>K625A-314-H</b>	KIT, BEZEL, W KEYPAD DECAL, 625	CHINESE		
K23	<b>OKCP-23201</b>	KIT, SOFTWARE UPDATE			

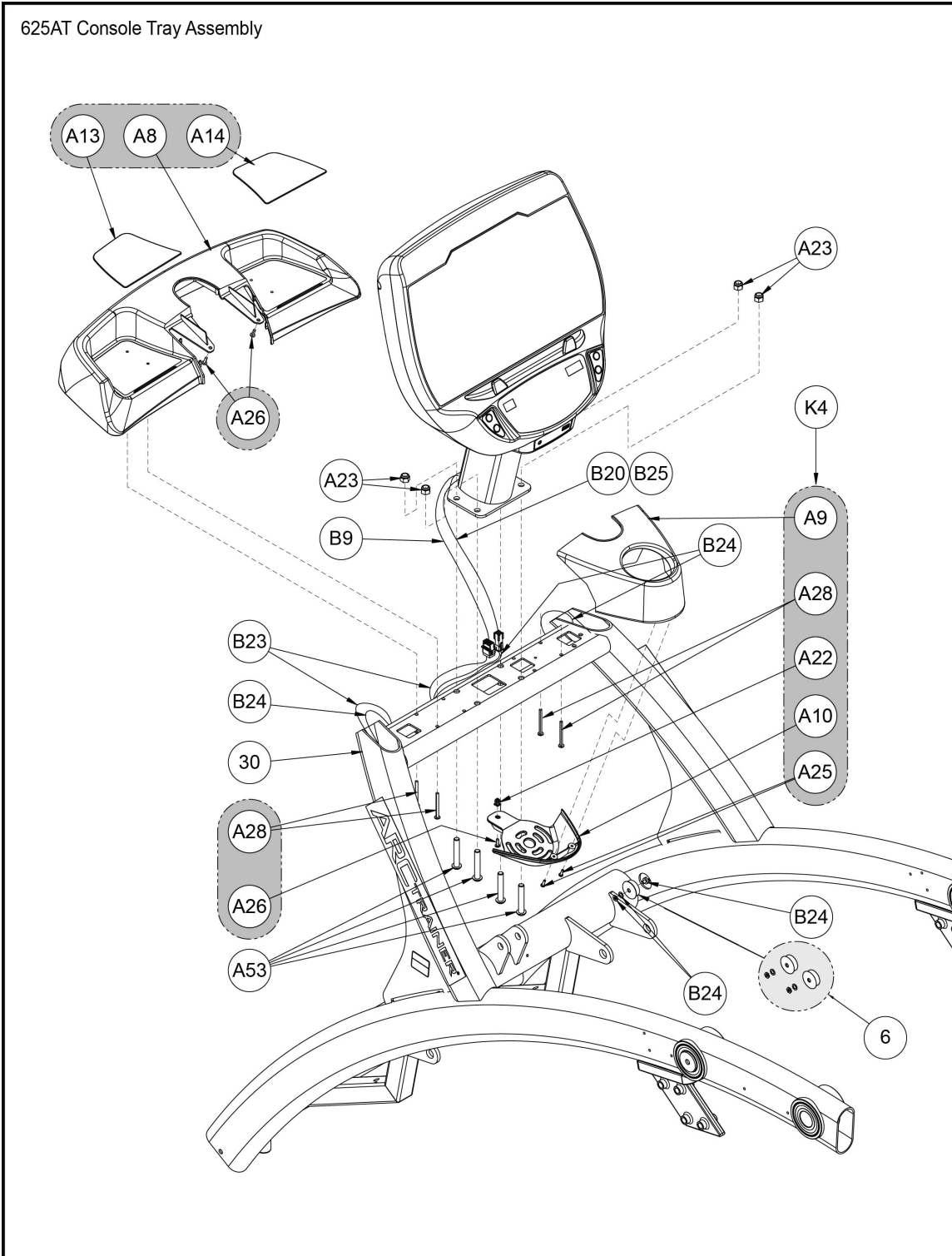


## Part Diagrams

Product Line: Arc Trainers

Product: 625AT: LED Total Body Arc

Assembly Name: 625AT Console Tray Assembly



Bulb #	Part Number	Name	Description	Notes	Price
6	770ATK010	KIT, CABLE NUT-WASHER			
30	770AT-200	W/ MAIN FRAME			
A8	770A-316	TRAY ACCESSORY			
A9	770A-317	HOLDER, CUP, TOP			
A10	770A-318	HOLDER, CUP,BOTTOM			
A13	770A-331-4	DECAL, WARNING, LOWER 770A CONSOLE, ENGLISH			
A14	770A-332-4	DECAL, WARNING, LOWER 770A CONSOLE, ENGLISH			
A22	HF540200	GROMMET NYLON			
A23	HN704901	LOCKNUT .375-16 NYLON			
A25	HT532512	PN HD PHIL SC #6 X .50 PLASTITE			
A26	HT552512	TAP SC NO. 8-16 X .50 PLASTITE PAN HEAD PHILLIPS <b>BLACK</b>			
A28	HT592526	Tap Sc 10-12 x 2.00 Pn Hd Phil			
A53	HC700430	BHSCS .375-16 X 2.50			
B9	AW-23849	CABLE, ARC CONSOLE UPPER			
B20	770AT-317	CABLE,770AT CHR JUMPER			
B23	AW-20935	CABLE, CONSOLE HARNESS			
B24	AW-21415	CABLE, CHR FRAME			
B25	AW-23417	CABLE,770AT CHR CONSOLE			
K4	770AK030-1	KIT, TRAY	GERMAN		
K4	770AK030-2	KIT, TRAY	FRENCH		
K4	770AK030-3	KIT, TRAY	SPANISH		
K4	770AK030-4	KIT, TRAY	ENGLISH		
K4	770AK030-6	KIT, TRAY	JAPANESE		
K4	770AK030-7	KIT, TRAY	SWEDISH		
K4	770AK030-8	KIT, TRAY	RUSSIAN		
K4	770AK030-A	KIT, TRAY	DANISH		
K4	770AK030-D	KIT, TRAY	DUTCH		
K4	770AK030-H	KIT, TRAY	CHINESE		

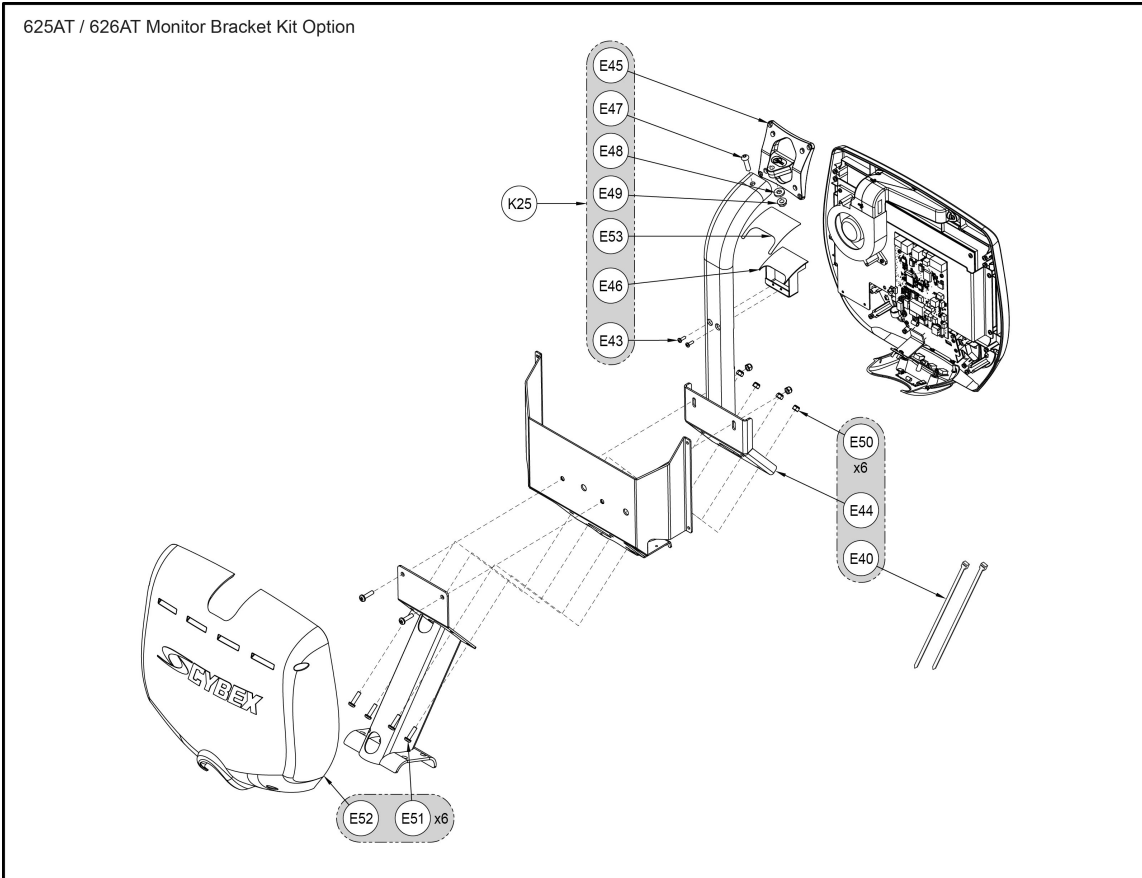


## Part Diagrams

Product Line: Arc Trainers

Product: 625AT: LED Total Body Arc

Assembly Name: 625AT / 626AT Monitor Bracket Kit Option



Bulb #	Part Number	Name	Description	Notes	Price
E40	EW000028	CABLE TIE			
E46	<b>HS-21672</b>	SCREW,#8-32-1/2" TT,TRILOBULAR,PN			
E47	AF-24437	WELDMENT,TUBE SUPPORT,SMALL CONSOLE,COATED			
E48	OHX-24440	MOUNT, VESA, MONITOR, VTILT,8MM			
E49	AF-24436	WELDMENT,HOOD,SMALL CONSOLE			
E50	HS-18157	BOLT 5-16-18 X 1.25 BTHD,SS,BLK			
E51	<b>HW-18123</b>	WSHR, .344IDX.75 ODX.125			
E52	HN-42063	NUT, 5/16-18, FLANGED, SS BO			
E53	HN-12079	KEPS 1-4-20 HEX STL ZINC			
E54	<b>HS-00489</b>	BOLT,1-4-20X1.0,HXHD			
E55	OPL-24438	COVER,CONSOLE BACK,MACHINED,770CR			
E56	ODE-24616	DECAL, LID, MONITOR MOUNT			

K25	626AK010	KIT, MONITOR MOUNT			
-----	----------	--------------------	--	--	--

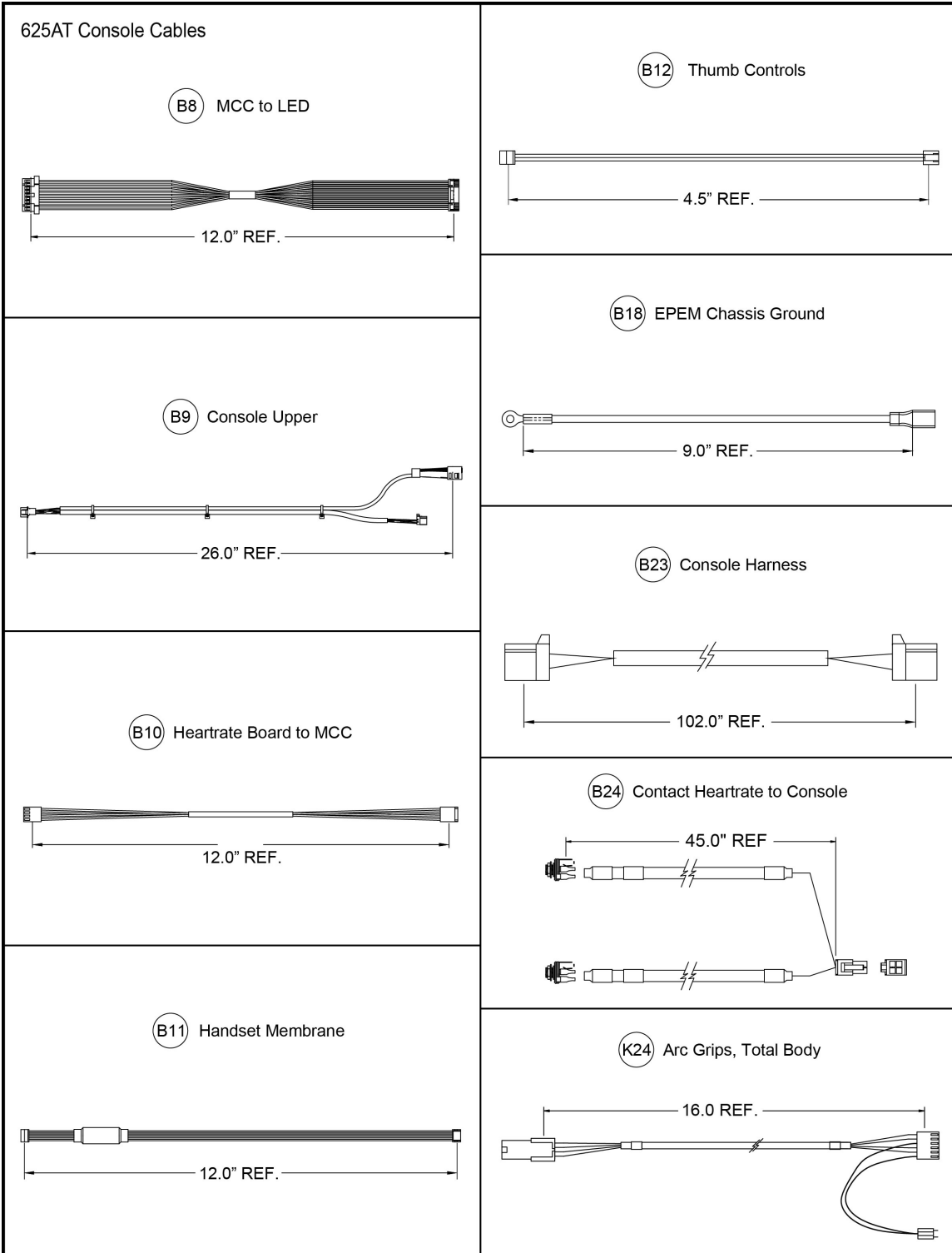


## Part Diagrams

Product Line: Arc Trainers

Product: 625AT: LED Total Body Arc

Assembly Name: 625AT Console Cables





Bulb #	Part Number	Name	Description	Notes	Price
B8	770A-359	CABLE, 770A ARC MCC TO LED			
B9	AW-23849	CABLE, ARC CONSOLE UPPER			
B10	770A-361	CABLE, ARC HRBOARD TO MCC			
B11	770A-364	CABLE, HANDSET MEMBRANE, ARC			
B12	770A-365	CABLE, THUMB CONTROLS			
B18	770A-412	CABLE,EPEM CHASSIS GND			
B23	AW-20935	CABLE, CONSOLE HARNESS			
B24	AW-21415	CABLE, CHR FRAME			
K24	KAW-23550	KIT, ARC GRIPS TTL BODY			

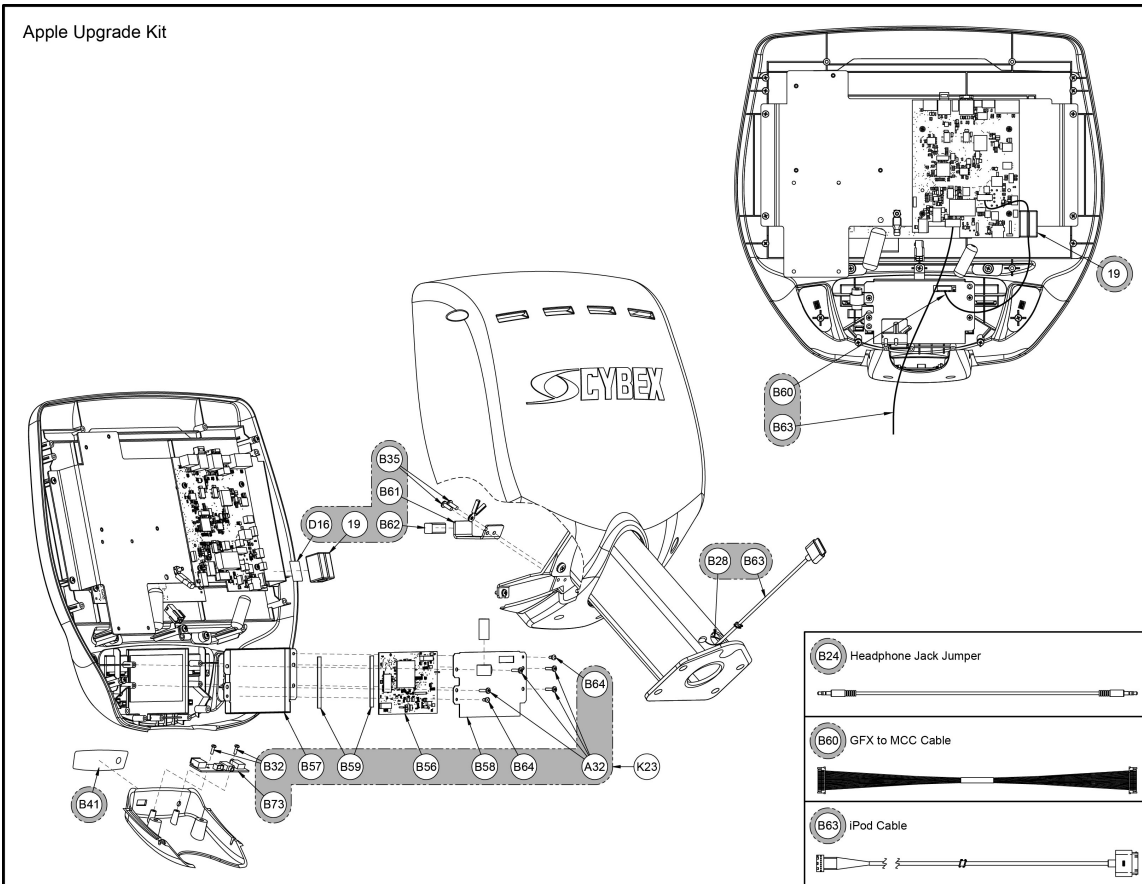


## Part Diagrams

Product Line: Arc Trainers

Product: 625A: E3 Lower Body Arc

Assembly Name: 62x Apple Upgrade Kit



Bulb #	Part Number	Name	Description	Notes	Price
19	<b>750A-396</b>	FERRITE CLAMP-ON .40 ID			
A32	<b>HT532512</b>	PN HD PHIL SC #6 X .50 PLASTITE			
B24	770A-357	CABLE, HEADPHONE JACK JUMPER, ARC			
B28	EW000028	CABLE TIE			
B32	<b>HJ622512</b>	SCREW, SEMS, .25-20 X .50 PNHD PHIL EXT BLK ZN			
B35	HT542512	PAN HD PHIL HD SELF TAPPING, 8-32 X .50 TYPE 23			
B41	770A-381	DECAL, HEADPHONE JACK			
B56	525AT-403	PCA, IPOD, 525, 625			
B57	525AT-404	HOUSING, IPOD PCA, 525, 625			
B58	525AT-405	COVER, IPOD PCA, 525, 625			
B59	525AT-408	TAPE, DBL SIDED, VHB, .25 X 2.5			
B60	<b>770A-363</b>	CABLE, 770T 670 GFX BOARD TO MCC			

B61	770A-383	BRKT, GROUNDING,GUI			
B62	770A-395	GASKET,EMI,.50x.50x1.0			
B63	AW-23375V	CABLE, 770ACR, IPOD 30 PIN, STOCKABLE			
B64	HR259806	RIVET, SNAP NYLON, .118 DIA. x .118			
B73	770A-347	PCA, HANDSET AUDIO JACK			
D16	01250	TAPE DOUBLE COATED .75			
K23	626AK011	KIT, RETROFIT, APPLE, 626			

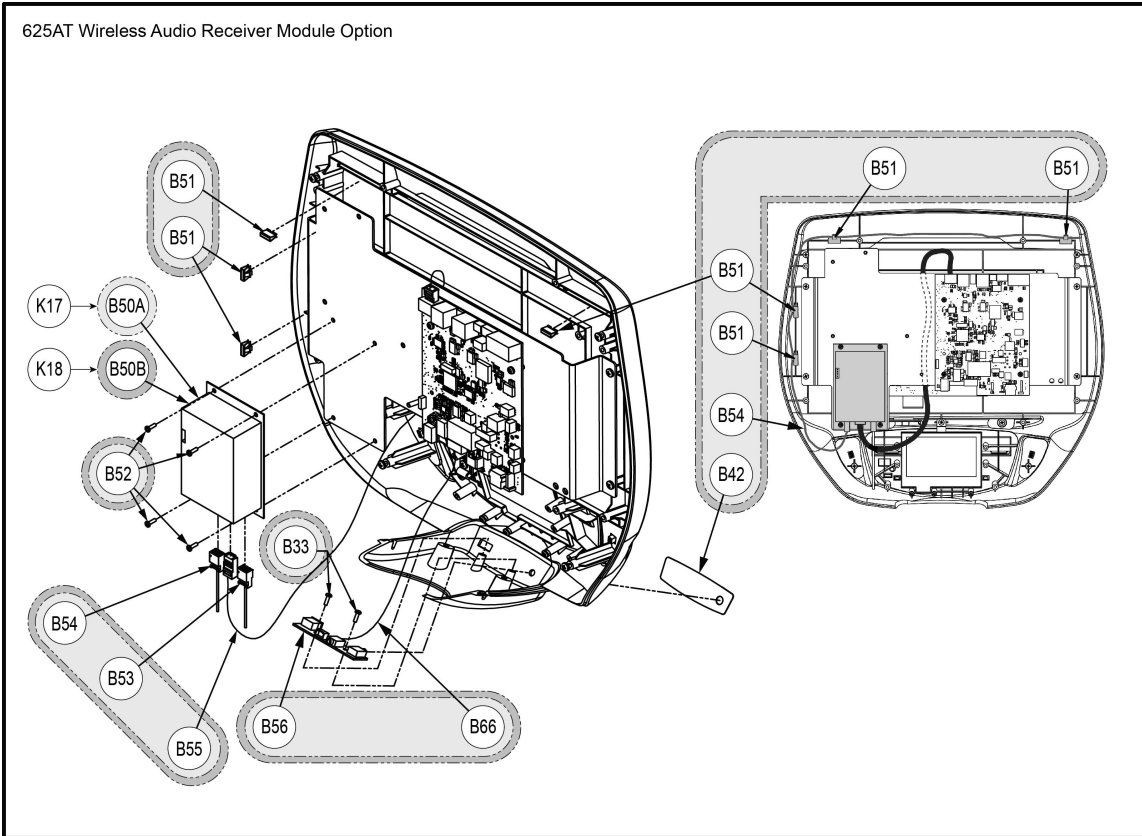


## Part Diagrams

Product Line: Arc Trainers

Product: 625AT: LED Total Body Arc

Assembly Name: 625AT Wireless Audio Option



Bulb #	Part Number	Name	Description	Notes	Price
B33	<b>HJ622512</b>	SCREW, SEMS, .25-20 X .50 PNHD PHIL EXT BLK ZN			
B42	DE-23399	DECAL, HEADPHONE JACK ONLY			
B50A	AD-22845	MODULE, RF 800 MHZ FM EU			
B50B	<b>AD-22844</b>	MODULE, RF 900 MHZ FM US			
B51	HX-23219	CLIP, TRIM, SINGLE SIDED			
B52	HS-10405	SCREW, 4-40X.25, PNHD PHIL			
B53	AW-23035	ANTENNA, 900 MHZ, DIPOLE			
B54	AW-23036	ANTENNA, FM RADIO			
B55	AW-23501	CABLE, CATSE, 18			
B56	<b>AD-23332</b>	PCA, EARPHONE, USB			
B66	AW-23298	CABLE, HEADPHONE JACK JMPR			
K17	KU-24110	Kit, MYE Upgrade, 800MHz 625ACR			
K18	KU-24111	Kit, MYE Upgrade, 900MHz 625ACR			



## Part Diagrams

Product Line: Arc Trainers

Product: 625AT: LED Total Body Arc

Assembly Name: 625AT / 770AT Cruiser Handle Kit

### 625AT / 770AT Cruiser Handle Kit

A40

A31

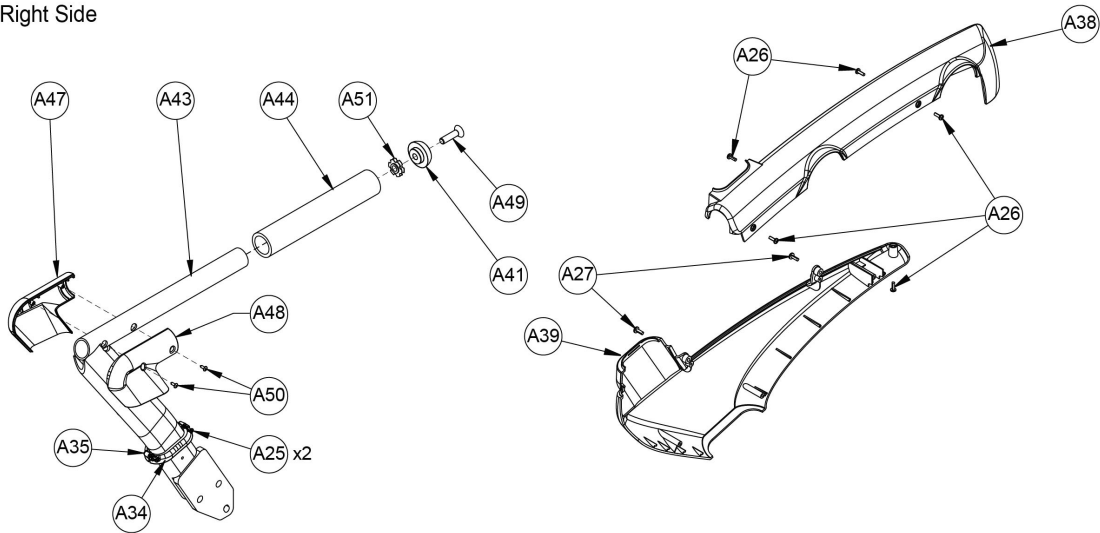
A26

A27

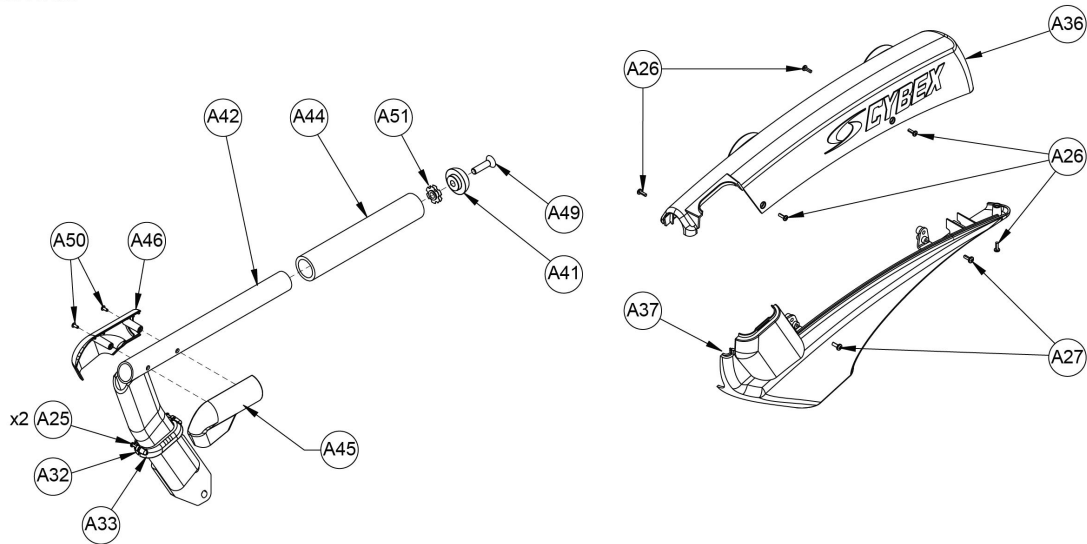
A23



### Right Side



### Left Side



Bulb #	Part Number	Name	Description	Notes	Price
A23	HN704901	LOCKNUT .375-16 NYLON			
A25	HT532512	PN HD PHIL SC #6 X .50 PLASTITE			
A26	HT552512	TAP SC NO. 8-16 X .50 PLASTITE PAN HEAD PHILLIPS <b>BLACK</b>			
A27	HT572515	SCREW, PAN HEAD PHILIPS 10-24 X .75 TYPE 23, BLK			
A31	YA000201	LOCTITE .02 OZ #242, BLUE			
A32	770A-334	Collar, LH Inner			
A33	770A-335	Collar, LH Outer			
A34	770A-340	COLLAR, INNER RH			
A35	770A-341	COLLAR, OUTER RH			
A36	770A-319	COVER, REAR, TOP, LH			
A37	770A-320	COVER, REAR, OUTER, LH			
A38	770A-322	COVER, REAR, TOP,RH			
A39	770A-323	COVER, REAR, OUTER, RH			
A40	625ATK015	KIT, CRUISER HANDLE			
A41	770A-401	CAP, END, 1.680 OD			
A42	770AT-203	W/ SIDE HANDLE, LH			
A43	770AT-204	W/ SIDE HANDLE, RH			
A44	770AT-306	GRIP, 9.50 INCHES			
A45	770AT-310	HANDLE COVER OUTSIDE, LH			
A46	770AT-311	HANDLE COVER INSIDE, LH			
A47	770AT-312	HANDLE COVER OUTSIDE, RH			
A48	770AT-313	HANDLE COVER INSIDE, RH			
A49	HC700922	FHSCS .375-16 X 1.500, SS			
A50	HT552510	TAP SC NO 6-20 X .375 AB PHIL			
A51	HF709000	INSERT 1.12 X .375-16 UNC			

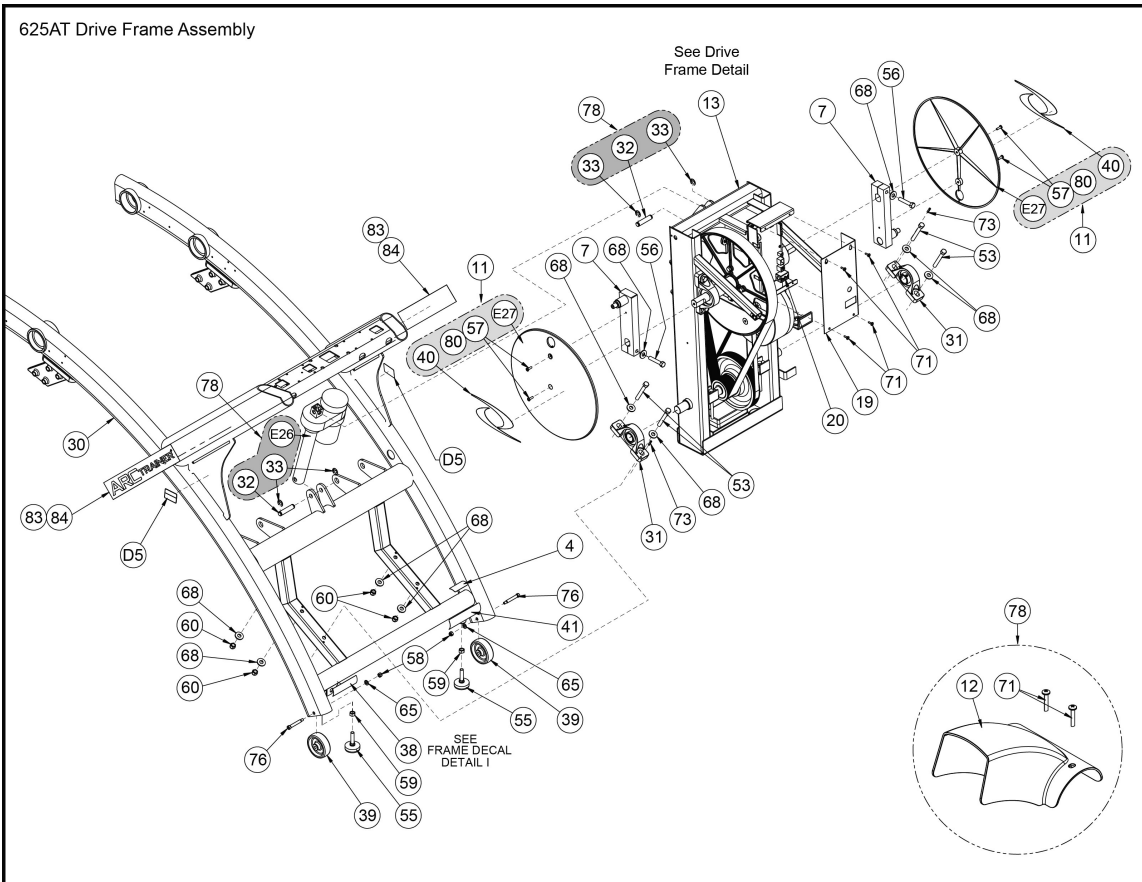


## Part Diagrams

Product Line: Arc Trainers

Product: 625AT: LED Total Body Arc

Assembly Name: 625AT Drive Frame Assembly



Bulb #	Part Number	Name	Description	Notes	Price
4	600A-362	LABEL PATENT BIOSIG			
7	610A-395	ASSY ARM CRANK			
11	750AK023	Kit, Cover Crank			
12	740A-354	Cover Elevation Motor			
13	770A-101	Drive Frame Assembly			
19	750A-365	Cover Controller			
20	750A-396	FERRITE CLAMP-ON .40 ID			
30	770AT-200	W/ MAIN FRAME			
31	AF-16694	ASSY,BEARING,PILLOW BLOCK			
32	AP030055	Pin Groove .50 x 2.0			
33	BR030228	Retaining Ring .500 External			
38	CM000199	DECAL SERIAL NUMBER			

39	<b>CW-17231</b>	WHEEL, TENSIONER			
40	<b>DE-17339</b>	DECAL CYBEX VORTEX			
41	<b>DE-21625</b>	Label ETL CSA CE 750A			
53	<b>HC701234</b>	HX HD CAP SC .375-16 X 3.00			
55	<b>HG700022</b>	LEVELING GLIDE 3-8-16			
56	HH701226	BOLT, HHCS GRD 8, .375-16 X 2.0			
57	<b>HM582514</b>	PN HD PHIL SC NO 10-32 X .625 BLK ZN			
58	HN624901	LOCKNUT .250-20 NYLON <b>BLACK</b> ZINC			
59	<b>HN704000</b>	HEX NUT .375-16			
60	<b>HN704901</b>	LOCKNUT .375-16 NYLON			
65	<b>HS328300</b>	LOCKWASHER SPLIT .312			
68	<b>HS347700</b>	WASHER, USS .375			
71	<b>HT572512</b>	TAP SC NO. 10-24 X .50 PN HD PHIL TAPTITLE BL			
73	<b>HX-17023</b>	PIN,SPRING .187X.75 LG,TYPE 420,ST STL			
76	<b>JD623324</b>	S BOLT .312 X 1.75 .250-20			
78	<b>750AK025</b>	KIT, MOTOR ELEVATION 12 VDC			
80	<b>YA000201</b>	LOCTITE .02 OZ #242, BLUE			
83	<b>770A-337</b>	DECAL, ARC TRAINER, <b>BLACK</b>			
84	770A-338	DECAL, ARC TRAINER, SILVER			
D5	<b>DE-17219-1</b>	DECAL,CAUTION MOVING PARTS	GERMAN		
D5	<b>DE-17219-2</b>	DECAL,CAUTION MOVING PARTS	FRENCH		
D5	<b>DE-17219-3</b>	DECAL,CAUTION MOVING PARTS	SPANISH		
D5	<b>DE-17219-4</b>	DECAL,CAUTION MOVING PARTS	ENGLISH		
D5	<b>DE-17219-6</b>	DECAL,CAUTION MOVING PARTS	JAPANESE		
D5	<b>DE-17219-7</b>	DECAL,CAUTION MOVING PARTS	SWEDISH		
D5	<b>DE-17219-8</b>	DECAL,CAUTION MOVING PARTS	RUSSIAN		
D5	<b>DE-17219-A</b>	DECAL,CAUTION MOVING PARTS	DANISH		
D5	<b>DE-17219-D</b>	DECAL,CAUTION MOVING PARTS	DUTCH		
E26	<b>MR-18446</b>	MOTOR ELEVATION 12VDC			
E27	<b>740A-353</b>	COVER, CRANK			





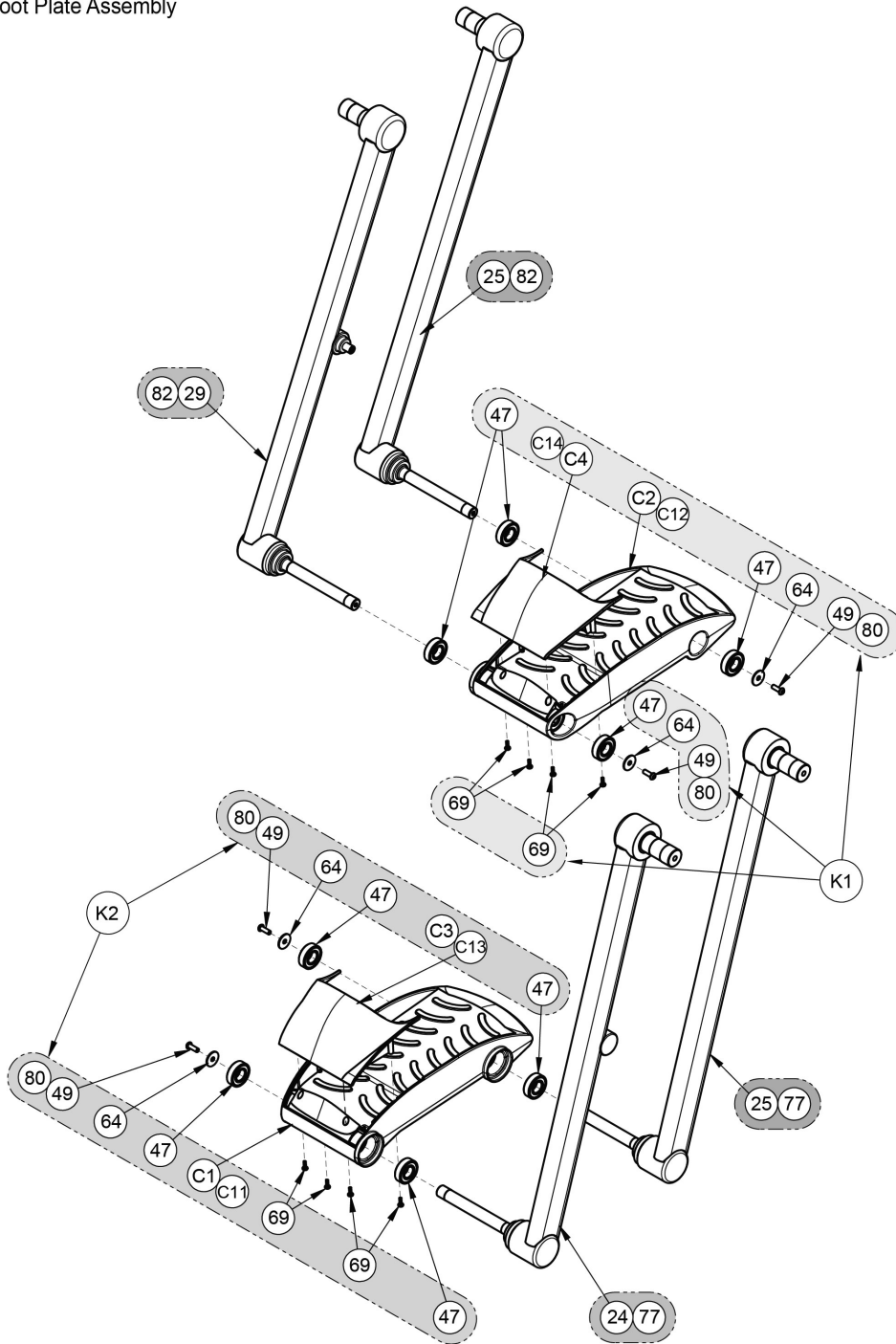
## Part Diagrams

Product Line: Arc Trainers

Product: 625AT: LED Total Body Arc

Assembly Name: 625AT Foot Plate Assembly

625AT Foot Plate Assembly



Bulb #	Part Number	Name	Description	Notes	Price
25	770AK010	W/ FOOT PLATE ARM, REAR			
28	770AK008	KIT, FOOT PLATE ARM FRONT LH			
29	770AK009	KIT, FOOT PLATE ARM FRONT RH			
47	HB-17036	BEARING,BALL, .750DIA			
49	HC620415	BHSCS .250-20 X .75, BL ZN			
64	HS307604	WASHER, FLAT .281 ID X 1.000 OD X .063 TH BL ZN			
69	HT552512	TAP SC NO. 8-16 X .50 PLASTITE PAN HEAD PHILLIPS <b>BLACK</b>			
80	YA000201	LOCTITE .02 OZ #242, BLUE			
82	YG000007	GREASE, TRANS LUBRIPLATE 1200-2			
C1	740A-378	Foot Plate LH, <b>BLACK</b>			
C11	740A-392	FOOT PLATE, LEFT (YELLOW)			
C12	740A-393	FOOT PLATE, RIGHT (YELLOW)			
C13	740A-394	TOE CAP, LEFT (YELLOW)			
C14	740A-395	TOE CAP, RIGHT (YELLOW)			
C2	740A-379	Foot Plate RH, <b>BLACK</b>			
C3	740A-380	Toe Cap LH, <b>BLACK</b>			
C4	740A-381	Toe Cap RH, <b>BLACK</b>			
K1	750AK002	KIT, FOOT PLATE RIGHT			
K2	750AK003	KIT, FOOT PLATE LEFT			

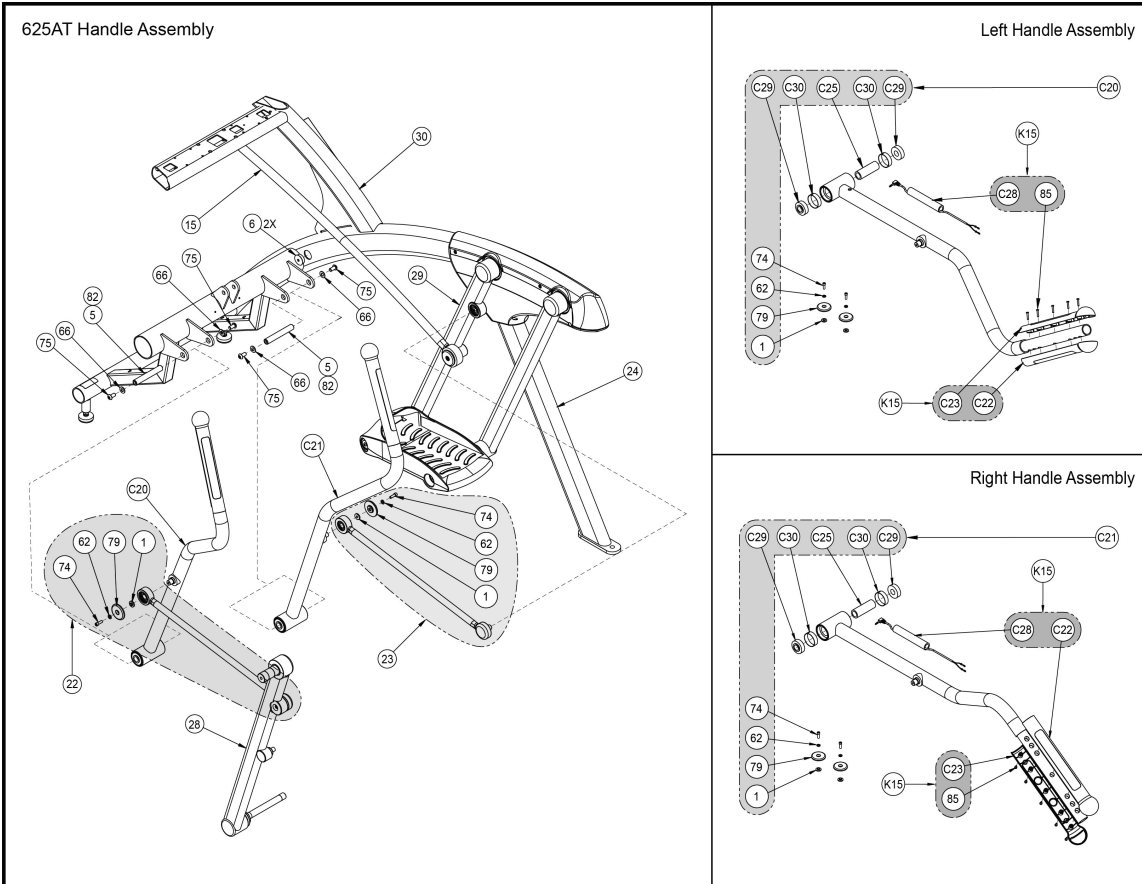


## Part Diagrams

Product Line: Arc Trainers

Product: 625AT: LED Total Body Arc

Assembly Name: 625AT Handle Assembly



Bulb #	Part Number	Name	Description	Notes	Price
1	600A-311	SPACER FLANGE			
5	610A-351	PIN PIVOT			
6	610A-358	INSERT PLASTIC 1.00 OD X .281 ID			
15	750AK007	Kit, Linkage Assy RH			
22	750AK012	Kit, Handle Linkage Assy LH			
23	750AK013	Kit, Handle Linkage Assy RH			
24	770A-201	W/ LEG			
28	770AT-101	FOOT PLATE ARM ASSY, LH			
29	770AT-102	FOOT PLATE ARM ASSY, RH			
30	770AT-200	W/ MAIN FRAME			
62	HS307601	WASH FLAT .281 .500 .062 T			
66	HS347600	WASHER SAE .375			

74	<b>HX622815</b>	SHCS .250-20 X .75 SS			
75	<b>HX700415</b>	BHSCS, .375-16 x .75, SS			
79	<b>PL-16535</b>	CAP, LINKAGE ROD, 2.00 OD			
82	YG000007	GREASE, TRANS LUBRIPLATE 1200-2			
85	<b>HT532515</b>	PN HD PHIL SC #6 X .75 PLASTITE			
C20	<b>625ATK006</b>	KIT, ARM HANDLE, LH			
C21	<b>625ATK007</b>	KIT, ARM HANDLE, RH			
C22	<b>425A-378</b>	GRIP HOUSING WITH METAL PLATEFRONT			
C23	<b>425A-379</b>	GRIP HOUSING WITH METAL PLATE BAC			
C25	<b>610A-356</b>	TUBE SPACER			
C28	<b>AW-18286</b>	CABLE 610A CHR GRIP			
C29	<b>FB030232</b>	BEARING, RADIAL 17 MM EXTENDED RACE			
C30	<b>FC030006</b>	TOLERANCE RING 1.575 ID			
K15	<b>625ATK014</b>	KIT, CONTACT GRIPS WITH WIRES			

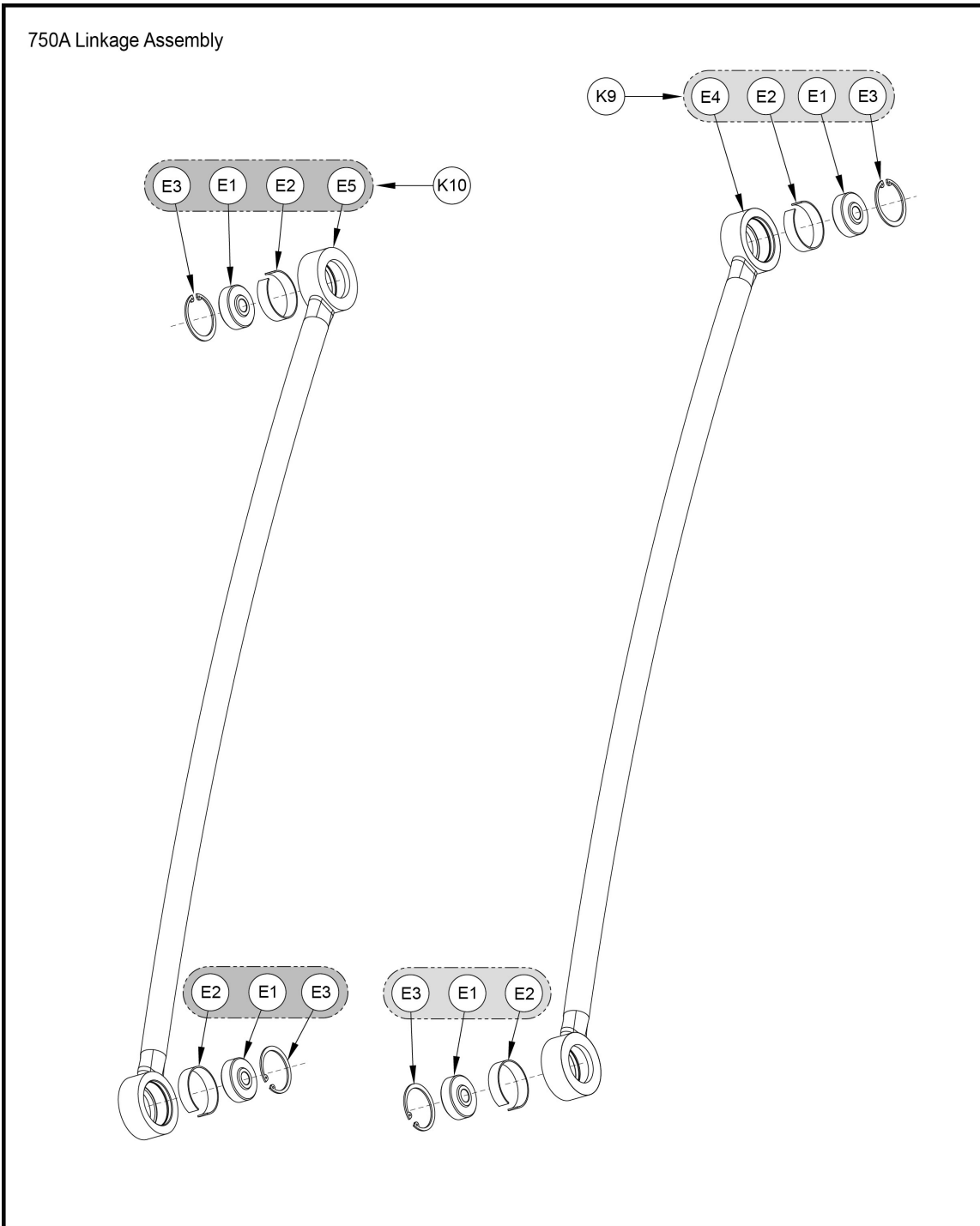


## Part Diagrams

Product Line: Arc Trainers

Product: 525AT: LED Total Body Arc

Assembly Name: 750A Linkage Assembly



Bulb #	Part Number	Name	Description	Notes	Price
--------	-------------	------	-------------	-------	-------

E1	<b>FB030244</b>	BEARING, RADIAL BALL .50 ID X 1.688 OD			
E2	<b>FC030004</b>	TOLERANCE RING 42 `(1.653) ID			
E3	<b>HX-17143</b>	RING RETAINING, INTERNAL, .500-168			
E4	750A-115	LINKAGE ASSEMBLY, LH			
E5	750A-116	LINKAGE ASSEMBLY, RH			
K9	<b>750AK006</b>	Kit, Linkage Assy LH			
K10	<b>750AK007</b>	Kit, Linkage Assy RH			

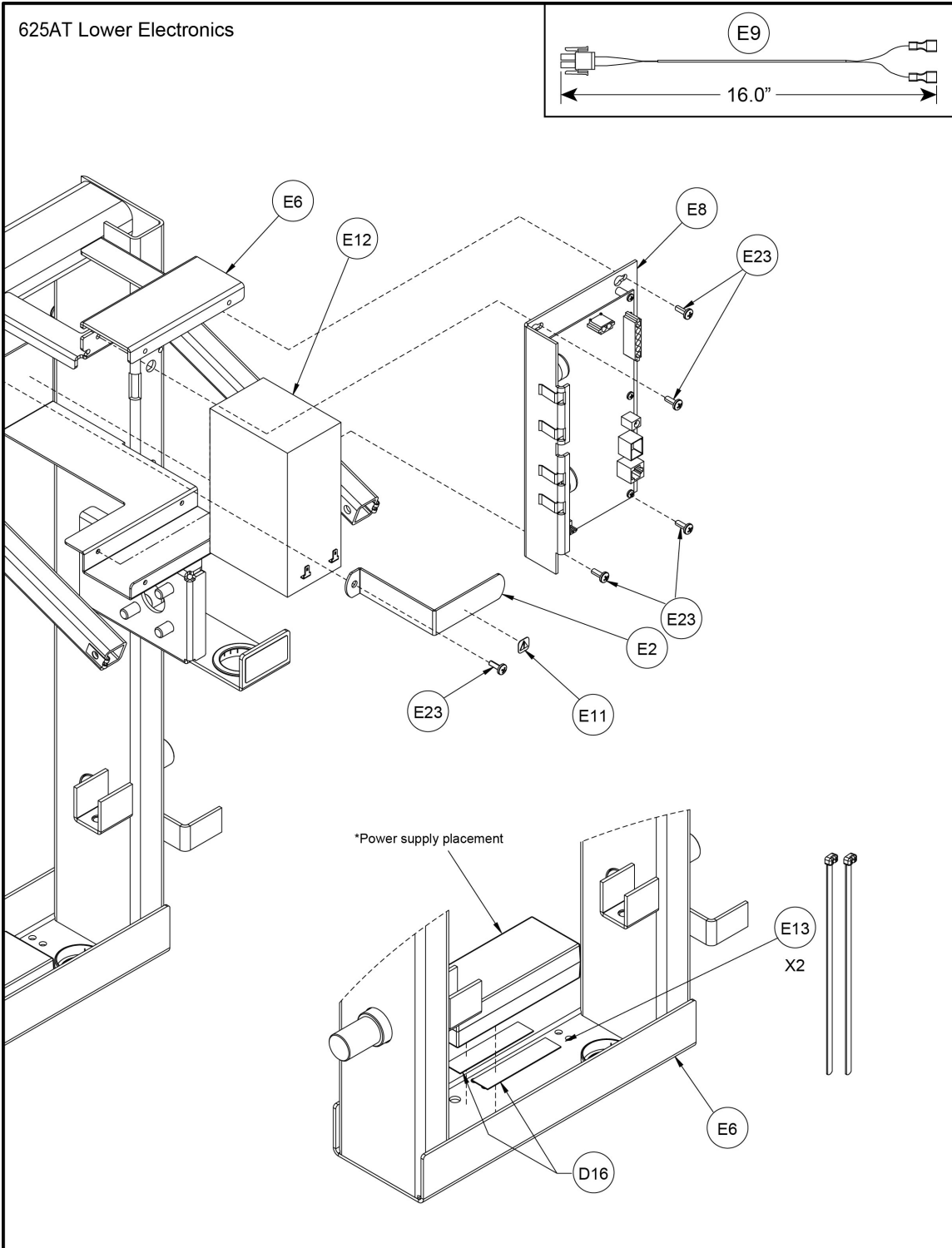


## Part Diagrams

Product Line: Arc Trainers

Product: 625AT: LED Total Body Arc

Assembly Name: 625AT Lower Electronics



Bulb #	Part Number	Name	Description	Notes	Price
D16	01250	TAPE DOUBLE COATED .75			
E2	<del>630A-314</del>	CLAMP, BATTERY			
E6	750A-212	WELDMENT, FRAME, FRONT			
E8	<del>AD-23681</del>	PCA,770A 625A,LOWER CONTROLLER			
E9	<del>AW-18447</del>	CABLE, SPA BATTERY			
E11	<del>DE-19586</del>	LABEL WARNING ICON			
E12	<del>EC-18267</del>	BATTERY, 12 V 7AHR			
E13	EW000028	CABLE TIE			
E23	<del>HT572512</del>	TAP SC NO. 10-24 X .50 PN HD PHIL TAPTITLE BL			



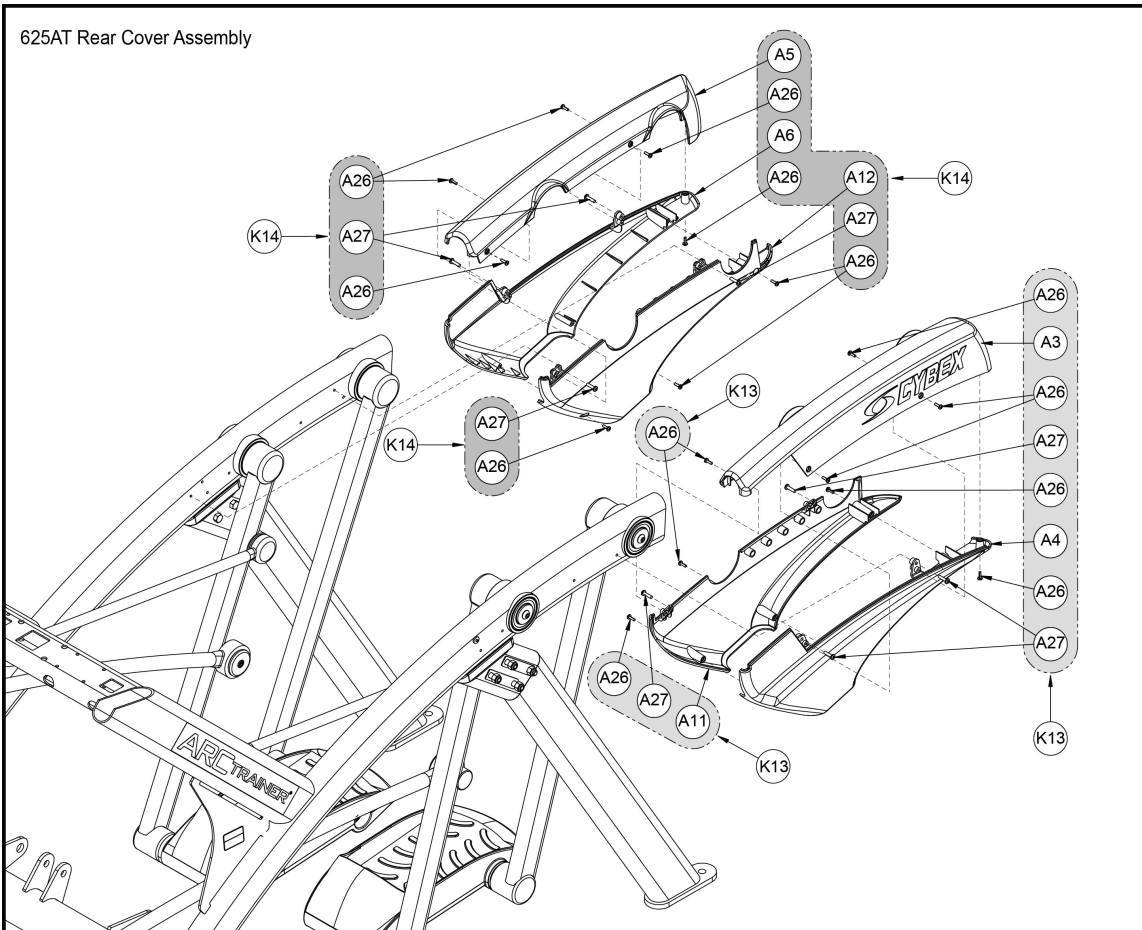


## Part Diagrams

Product Line: Arc Trainers

Product: 625AT: LED Total Body Arc

Assembly Name: 625AT Rear Cover Assembly



Bulb #	Part Number	Name	Description	Notes	Price
A3	625A-310	COVER, REAR, TOP, LH			
A4	625A-311	COVER, REAR, OUTER, LH			
A5	625A-312	COVER, REAR, TOP, RH			
A6	625A-313	COVER, REAR, OUTER, RH			
A11	770A-321	COVER, REAR, INNER, LH			
A12	770A-324	COVER, REAR, INNER, RH			
A26	HT552512	TAP SC NO. 8-16 X .50 PLASTITE PAN HEAD PHILLIPS <b>BLACK</b>			
A27	HT572515	SCREW, PAN HEAD PHILIPS 10-24 X .75 TYPE 23, BLK			
K13	625ATK004	KIT, PIVOT COVER, LEFT SIDE			
K14	625ATK005	KIT, PIVOT COVER, RIGHT SIDE			

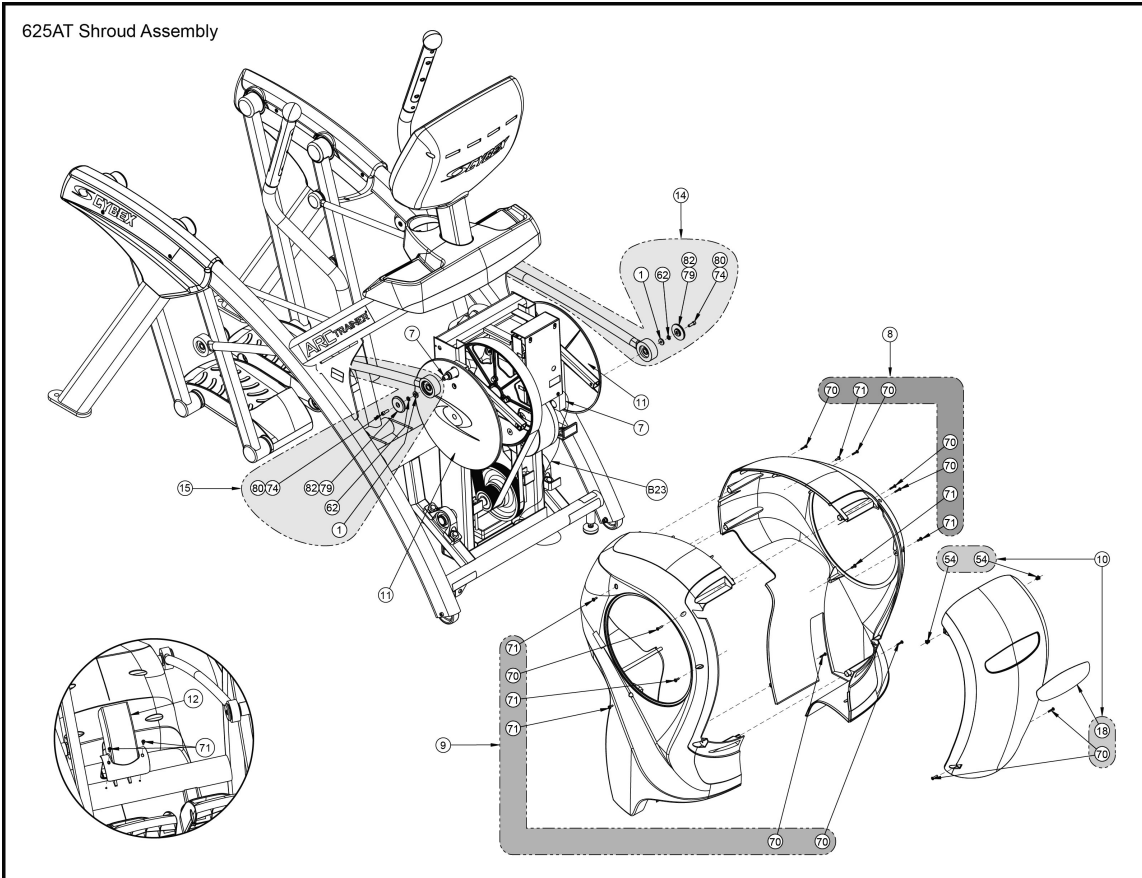


## Part Diagrams

Product Line: Arc Trainers

Product: 625AT: LED Total Body Arc

Assembly Name: 625AT Shroud Assembly



Bulb #	Part Number	Name	Description	Notes	Price
1	600A-311	SPACER FLANGE			
7	610A-395	ASSY ARM CRANK			
8	750AK021	Kit, Cover LH			
9	750AK022	Kit, Cover RH			
10	750AK024-4	Kit, Cover Access			
11	750AK023	Kit, Cover Crank			
12	740A-354	Cover Elevation Motor			
14	750AK006	Kit, Linkage Assy LH			
15	750AK007	Kit, Linkage Assy RH			
18	750A-349	Decal ARC			
54	HF540200	GROMMET NYLON			
62	HS307601	WASH FLAT .281 .500 .062 T			

70	<b>HT552515</b>	PAN HD PHIL SELF TAPPING, 8-16 X .75 PLASTITE			
71	<b>HT572512</b>	TAP SC NO. 10-24 X .50 PN HD PHIL TAPTITLE BL			
74	<b>HX622815</b>	SHCS .250-20 X .75 SS			
79	<b>PL-16535</b>	CAP, LINKAGE ROD, 2.00 OD			
80	<b>YA000201</b>	LOCTITE .02 OZ #242, BLUE			
82	YG000007	GREASE, TRANS LUBRIPLATE 1200-2			
B23	<b>AW-20935</b>	CABLE, CONSOLE HARNESS			

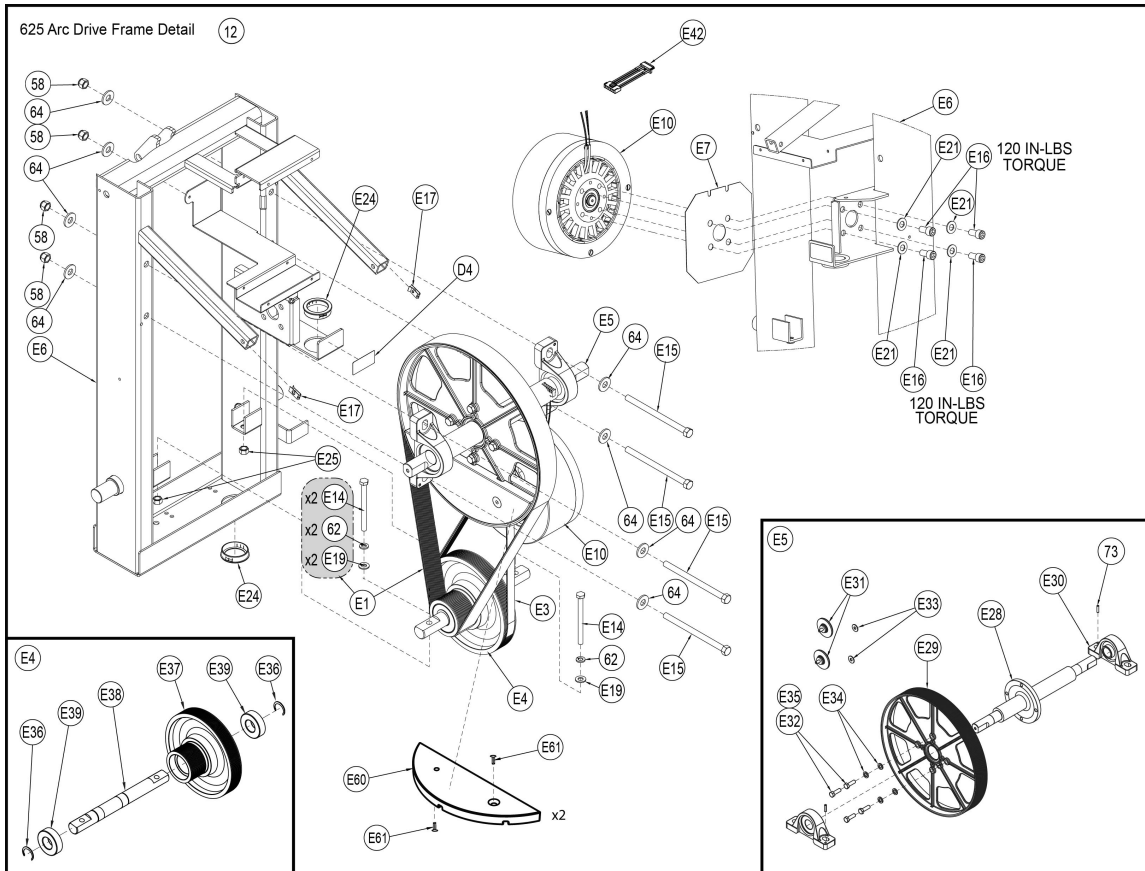


## Part Diagrams

Product Line: Arc Trainers

Product: 625A: E3 Lower Body Arc

Assembly Name: 625 Arc Drive Frame Detail



Bulb #	Part Number	Name	Description	Notes	Price
12	750A-101	DRIVE FRAME ASSEMBLY	Complete Assembly		
58	HN704901	LOCKNUT .375-16 NYLON			
62	HS328300	LOCKWASHER SPLIT .312			
64	HS347700	WASHER, USS .375			
73	HX-17023	PIN,SPRING .187X.75 LG,TYPE 420,ST-STL			
D4	DE-17155-1	LABEL,WARNING HOT FLYWHEEL	GERMAN		
D4	DE-17155-2	LABEL,WARNING HOT FLYWHEEL	FRENCH		
D4	DE-17155-3	LABEL,WARNING HOT FLYWHEEL	SPANISH		
D4	DE-17155-4	LABEL,WARNING HOT FLYWHEEL	ENGLISH		
D4	DE-17155-6	LABEL,WARNING HOT FLYWHEEL	JAPANESE		
D4	DE-17155-7	LABEL,WARNING HOT FLYWHEEL	SWEDISH		

D4	DE-17155-8	LABEL,WARNING HOT FLYWHEEL	RUSSIAN		
D4	DE-17155-A	LABEL,WARNING HOT FLYWHEEL	DANISH		
D4	DE-17155-D	LABEL,WARNING HOT FLYWHEEL	DUTCH		
E1	600AK020	KIT, BELT, PRIMARY DRIVE			
E3	630A-328	BELT, SECONDARY DRIVE, 7 RIB			
E4	750A-110	DOUBLE PULLEY ASSY			
E5	600AK002	KIT, SINGLE PULLEY ASSY			
E6	750A-212	WELDMENT, FRAME, FRONT			
E7	750A-364	SPACER, GEN WINDING			
E10	AX-19550	ASSEMBLY, ECB/GEN			
E14	HC661240	SCREW, HEX HEAD CAP .312-18 x 3.75			
E15	HC701254	HX HD CAP SCREW .375-16 X 5.50			
E16	HC702815	SHCS .375-16 X .750			
E17	HF579000	PANEL FASTNER, 10-24 U TYPE			
E19	HS327600	WASHER, SAE .312			
E21	HS347600	WASHER SAE .375			
E24	HX-17050	BUSHING, 1.275 ID x 1.87 OD, NYLON			
E28	600A-313	SHAFT			
E29	600A-337	PULLEY, POLY-V DIE CAST, 16 GROOVES			
E30	600A-340	BEARING, 1.00 INCH PILLOW BLOCK			
E31	600AK012	KIT, LINKAGE CAP			
E32	HC661217	HX HD CAP SCREW .312-18 X 1.00			
E33	HS307600	WASHER SAE .250			
E34	HS760100	SPRING RETAINING WASHER			
E35	YA000023	LOCTITE, PERM, 262 PN26231			
E36	BR030221	RING RETAINING, EXTERIOR CRESCENT			
E37	PW-16521	PULLEY, DRIVE			
E38	FM-16859	SHAFT, LOWER			
E39	FB030243	BEARING, 25 MM ID x 52 MM OD 6205			
E42	OAW-24272	CABLE, 625/770A , BRAKE JUMPER			
E60	FM-19507	COUNTERWEIGHT, PULLEY			
E61	JC700922	FHSCS .375-16 X 1.50			

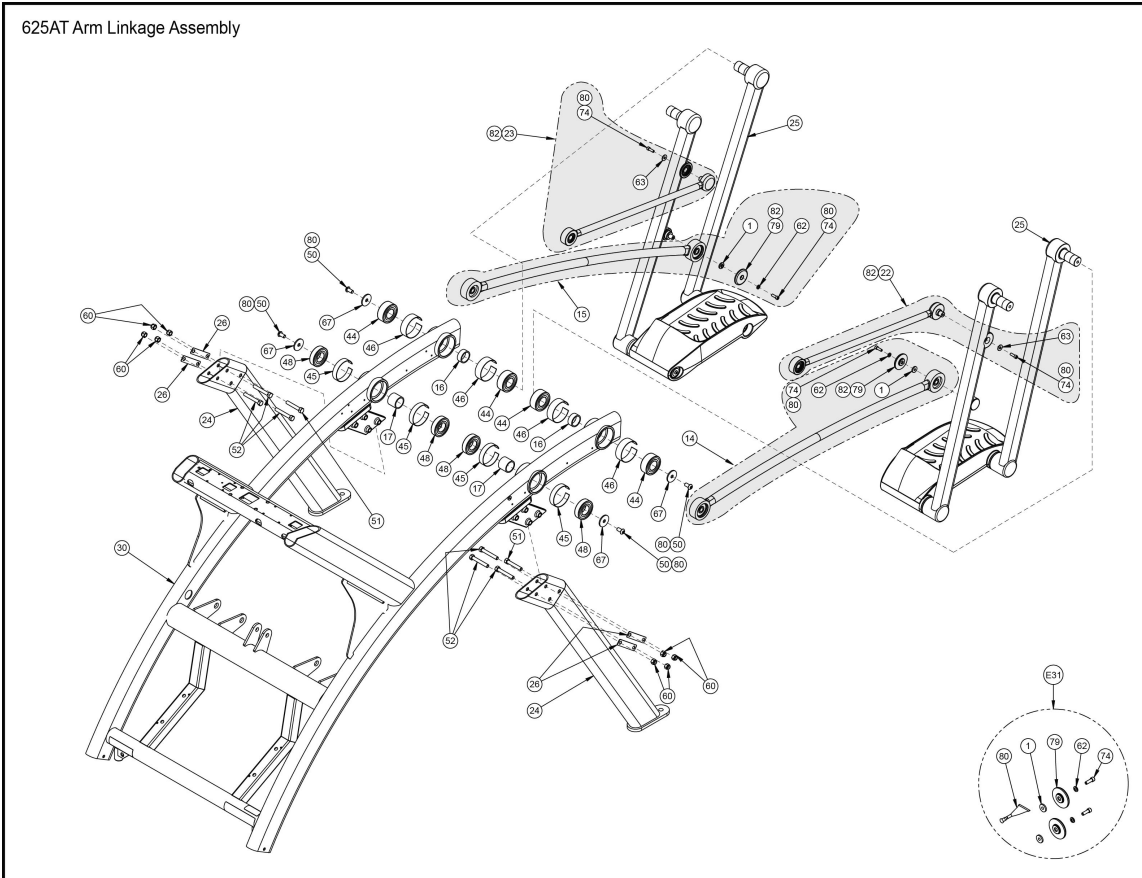


## Part Diagrams

Product Line: Arc Trainers

Product: 625AT: LED Total Body Arc

Assembly Name: 625AT Arm Linkage Assembly



Bulb #	Part Number	Name	Description	Notes	Price
1	600A-311	SPACER FLANGE			
14	750AK006	Kit, Linkage Assy LH			
15	750AK007	Kit, Linkage Assy RH			
16	750A-312	Tube Spacer			
17	750A-325	Tube Spacer			
22	750AK012	Kit, Handle Linkage Assy LH			
23	750AK013	Kit, Handle Linkage Assy RH			
24	770A-201	W/ LEG			
25	770AK010	W/ FOOT PLATE ARM, REAR			
26	770A-313	PLATE, SPACER			
30	770AT-200	W/ MAIN FRAME			
44	FB030256	Bearing Ball 1.181 dia Double Row			

45	<b>FC030003</b>	TOLERANCE RING 2.4409 ID			
46	<b>FC030011</b>	Tolerance Ring .62mm dia			
48	<b>HB-17280</b>	BEARING,BALL,SINGLE ROW,6206			
50	<b>HC700415</b>	BHSCS .375-16 X .75			
51	HC701228	HX HD CAP SC .375-16 X 2.25			
52	<b>HC701230</b>	HX HD CAP SC .375-16 X 2.500			
60	<b>HN704901</b>	LOCKNUT .375-16 NYLON			
62	<b>HS307601</b>	WASH FLAT .281 .500 .062 T			
63	<b>HS307603</b>	WASHER, FLAT .253 ID X .750 OD X .120			
67	<b>HS347602</b>	Washer .390 x 1.500 x .124 Flat			
74	<b>HX622815</b>	SHCS .250-20 X .75 SS			
79	<b>PL-16535</b>	CAP, LINKAGE ROD, 2.00 OD			
80	<b>YA000201</b>	LOCTITE .02 OZ #242, BLUE			
82	YG000007	GREASE, TRANS LUBRIPLATE 1200-2			
E31	<b>600AK012</b>	KIT, LINKAGE CAP			



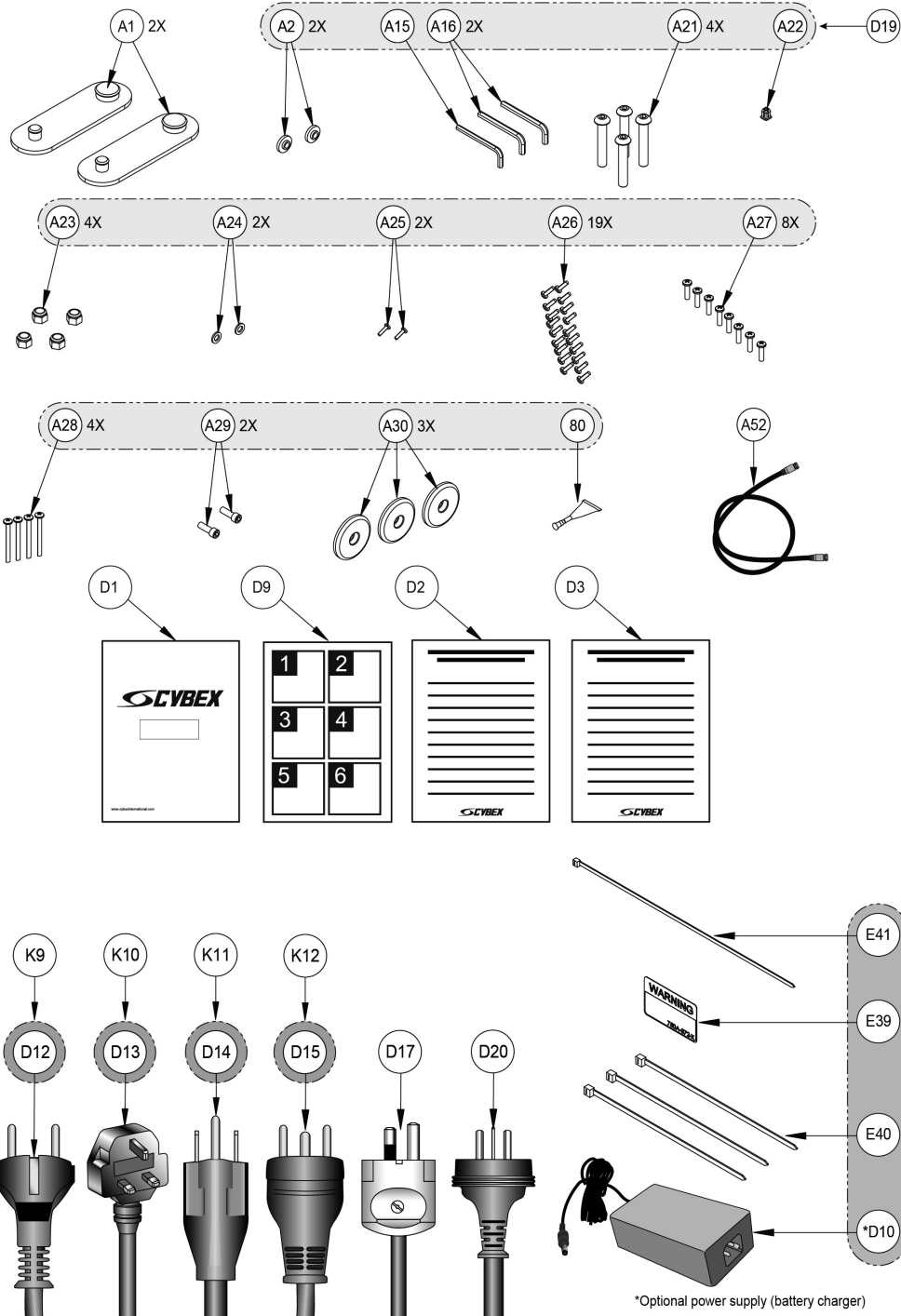
## Part Diagrams

Product Line: Arc Trainers

Product: 625AT: LED Total Body Arc

Assembly Name: 625AT, 626AT - Hardware and Manual and Power Cords

625AT, 626AT  
Hardware, Manual, and Power Cords





Bulb #	Part Number	Name	Description	Notes	Price
80	YA000201	LOCTITE .02 OZ #242, BLUE			
A1	12090-322	PAD FOOT			
A2	600A-311	SPACER FLANGE			
A15	BK030201	HEX KEY .188IN			
A16	BK030204	HEX KEY .219IN			
A21	HC700428	BHSCS .375-16 X 2.25			
A22	HF540200	GROMMET NYLON			
A23	HN704901	LOCKNUT .375-16 NYLON			
A24	HS307601	WASH FLAT .281 .500 .062 T			
A25	HT532512	PN HD PHIL SC #6 X .50 PLASTITE			
A26	HT552512	TAP SC NO. 8-16 X .50 PLASTITE PAN HEAD PHILLIPS BLACK			
A27	HT572515	SCREW, PAN HEAD PHILIPS 10-24 X .75 TYPE 23, BLK			
A28	HT592526	Tap Sc 10-12 x 2.00 Pn Hd Phil			
A29	HX622815	SHCS .250-20 X .75 SS			
A30	PL-16535	CAP, LINKAGE ROD, 2.00 OD			
A52	770A-427	CABLE, 6', RG59 COAX F-TYPE M-M			
D1	5625-1	MANUAL, OWNERS ARC TRAINER	GERMAN		
D1	5625-2	MANUAL, OWNERS ARC TRAINER	FRENCH		
D1	5625-3	MANUAL, OWNERS ARC TRAINER	SPANISH		
D1	5625-4	MANUAL, OWNERS ARC TRAINER	ENGLISH		
D1	5625-6	MANUAL, OWNERS ARC TRAINER	JAPANESE		
D1	5625-7	MANUAL, OWNERS ARC TRAINER	SWEDISH		
D1	5625-8	MANUAL, OWNERS ARC TRAINER	RUSSIAN		
D1	5625-A	MANUAL, OWNERS ARC TRAINER	DANISH		
D1	5625-D	MANUAL, OWNERS ARC TRAINER	DUTCH		
D1	5625-H	MANUAL, OWNERS ARC TRAINER	CHINESE		N/A
D2	625A-330	WARRANTY SHT COMMERCIAL ARC 625			
D3	625A-331	WARRANTY SHT CONSUMER ARC 625			
D9	625A-328	ASSEMBLY POSTER			
D10	TR-22382	POWER SUPPLY, 24 VOLTS			
D11	EW600007	CORD, PWR SUPPLY IEC320 (SJT)			
D12	EW600008	POWER CORD, CEE 7/7 TO IEC320 C13 LA, 10A			
D13	EW600009	POWER CORD, BS 1363UK10 TO IEC320 C13 LA, 10A			
D14	EW600010	POWER CORD, NEMA 5-15 IEC320 C13 LA, 10A			
D15	EW600011	POWER CORD, DANISH DK2-1A TO IEC320 C13 LA, 10A			
D17	EW600012	POWER CORD, AS/NZS 3112 TO IEC320 C13 LA, 10A			
D19	626AT-340	HARDWARE PACK, 626AT			
D20	OAW-25706	POWER CORD, CHINA PLUG-IEC-320 LA, 10A/250V			N/A

E39	750A-372-1	DECAL, DISCONNECT POWER	GERMAN		
E39	750A-372-2	DECAL, DISCONNECT POWER	FRENCH		
E39	750A-372-3	DECAL, DISCONNECT POWER	SPANISH		
E39	750A-372-4	DECAL, DISCONNECT POWER	ENGLISH		
E39	750A-372-6	DECAL, DISCONNECT POWER	JAPANESE		
E39	750A-372-7	DECAL, DISCONNECT POWER	SWEDISH		
E39	750A-372-8	DECAL, DISCONNECT POWER	RUSSIAN		
E39	750A-372-A	DECAL, DISCONNECT POWER	DANISH		
E39	750A-372-D	DECAL, DISCONNECT POWER	DUTCH		
E39	750A-372-H	DECAL, DISCONNECT POWER	CHINESE		
E40	EW000028	CABLE TIE			
E41	EW000029	CABLE TIE			
K8	<b>750AK031</b>	KIT, VOLTAGE ASSEMBLY 110V/60HZ (USA)			
K9	750AK033	KIT, VOLTAGE ASSEMBLY 220V/50HZ (EUROPE NON UK)			
K10	750AK034	KIT, VOLTAGE ASSEMBLY 250V/10A (UK)			
K11	750AK035	KIT, VOLTAGE ASSEMBLY 110V//50HZ (JAPAN)			
K12	750AK036	KIT, VOLTAGE ASSEMBLY 10A/250V (DANISH)			